



CPS
TECHNOLOGIES

APOLLO RANGE OF WALL MOUNTED SERVER CABINETS

The Flexible Choice

Apollo Wall Units quickly upgrade to a Swing Frame unit with the addition of a bolt on collar.



Made in South Africa
Manufactured to International Standards
Exported Globally



APOLLO RANGE

Range of Upgradable Wall Mounted Units

Apollo Wall Units are available fully built c/w accessories,
or if preferred when transport space is limited
in knockdown form.

The units are supplied in cardboard cartons
and can be rapidly assembled on site with
just 8 screws.

Apollo Wall Units quickly upgrade to
a Swing Frame unit with the
addition of a bolt on collar
available in 100mm &
200mm depths.

This also allows the collar to
be fitted onto the wall
without the encumberment
of holding and balancing
the wall unit.



Knockdown form **Flat Packs**
for easier transportation

CPS House

Cnr Suttie Road and James Crescent,
Halfway House, Midrand,
Gauteng, South Africa

Wall Mount Units

4U Models	Code	U	Height	Depth	Door	kg's
	CP44U.GLA.B	4	240	450	Glass	12
	CP44U.PERF.B	4	240	450	Perf	11

6U Models	Code	U	Height	Depth	Door	kg's
	CP46U.GLA.B	6	330	450	Glass	14
	CP46U.PERF.B	6	330	450	Perf	13

9U Models	Code	U	Height	Depth	Door	kg's
	CP49U.GLA.B	9	460	450	Glass	17
	CP49U.PERF.B	9	460	450	Perf	15

12U Models	Code	U	Height	Depth	Door	kg's
	CP412U.GLA.B	12	600	450	Glass	20
	CP412U.PERF.B	12	600	450	Perf	17

15U Models	Code	U	Height	Depth	Door	kg's
	CP415U.GLA.B	15	730	450	Glass	22
	CP415U.PERF.B	15	730	450	Perf	19

20U Models	Code	U	Height	Depth	Door	kg's
	CP420U.GLA.B	20	950	450	Glass	27
	CP420U.PERF.B	20	950	450	Perf	23

Wall Mount Collar Frames 100mm & 200mm deep

4U Models	Code	U	Height	Depth	kg's
	TW4UCOLLAR100	4	240	100	2.8
	TW4UCOLLAR200	4	240	200	4.4

6U Models	Code	U	Height	Depth	kg's
	TW6UCOLLAR100	6	330	100	3.1
	TW6UCOLLAR200	6	330	200	4.8

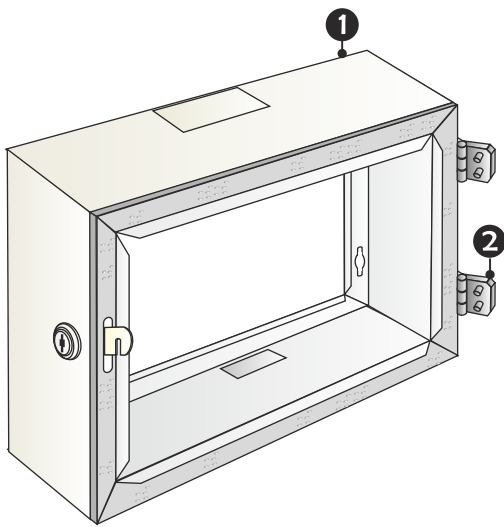
9U Models	Code	U	Height	Depth	kg's
	TW9UCOLLAR100	9	460	100	3.6
	TW9UCOLLAR200	9	460	200	5.6

12U Models	Code	U	Height	Depth	kg's
	TW12UCOLLAR100	12	600	100	4.0
	TW12UCOLLAR200	12	600	200	6.3

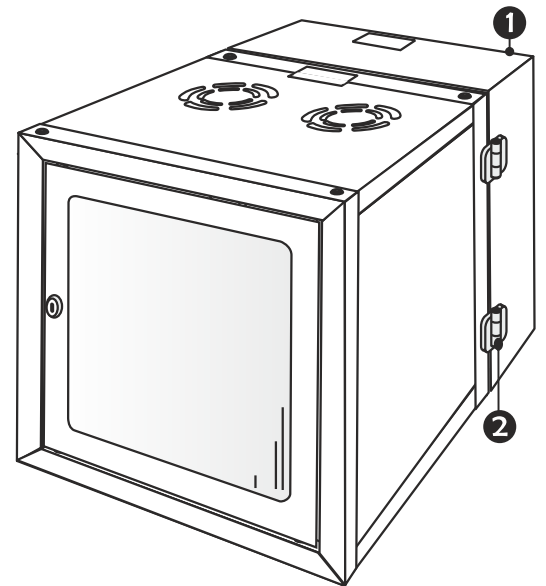
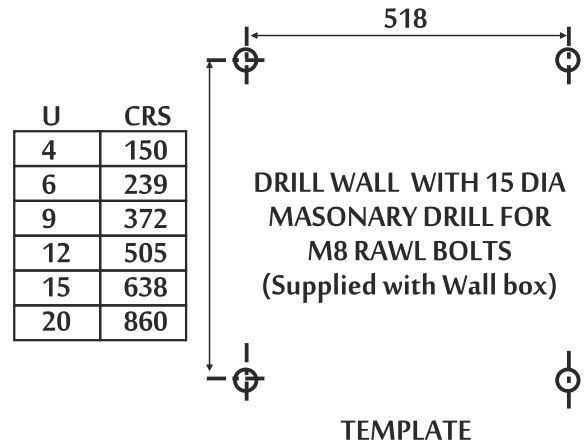
15U Models	Code	U	Height	Depth	kg's
	TW15UCOLLAR100	15	730	100	4.5
	TW15UCOLLAR200	15	730	200	7.0

20U Models	Code	U	Height	Depth	kg's
	TW20UCOLLAR100	20	240	100	5.3
	TW20UCOLLAR200	20	240	200	8.2

Upgrade Wall Box into Swing Frame



PARTS	DESCRIPTION
1	COLLAR
2	HINGES X 2



Assembly Instructions

- Attach supplied Hinges ② to Collar ① as shown
- Drill wall as per Template dimensions for particular Collar
- Fix Collar ① to wall
- Offer Wall box up to Collar hinges ② & fasten



CPS

TECHNOLOGIES

www.cps-africa.com

CPS House

Cnr Suttie Road and James Crescent,
Halfway House, Midrand,
Gauteng, South Africa

Tel +27 11 312 9310

Fax +27 11 312 4392

Email info@cps-africa.com

www.cps-africa.com



Made in South Africa

Manufactured to International Standards
Exported Globally